

TALAKTO DISTRICT GREATER ALABAMA COUNCIL, BOY
SCOUTS OF AMERICA

CUBMOBILE DERBY 2017

9:00 AM---SATURDAY ---October 7, 2017



NORTH MEMORIAL PARKWAY
(West Side Parking Lot)

Cost \$3.00 each Scout

- * 8:00 am. Registration (Track open for practice runs)
- * 9:00 am. Opening Ceremony
- * 9:10 am. First Race - Subsequent races will begin 5 minutes after the preceding category as follows:

Webelos Races

Bear Races

Wolf Races

Tigers Cubs

Awards Ceremony. The ceremony will follow the open races.

•

RULES

Each Cub Scout will compete in his rank/ age group (Tiger Cub, Wolf, Bear and Webelos). Each boy will be allowed one run on each lane on a car built to specifications as indicated in the Cub Scout How-To-Book (see the attached page from the "How to Book") His best time will be his official time. To create a more competitive and fair derby, the top four speeds in all age groups will be placed in the unlimited category. The next four top speeds will be placed in the regular category. 1st, 2nd, 3rd, and 4th place trophies will be awarded in all categories.

Racers who fail to stay in their lane and impede other racers will get one and only one rerun.

(NOTE: To accommodate the weight of the adult racers, the axels should be made from 4X4 and the frame from 2X6 timbers. The seat brace should be enlarged to accommodate sponsor names and logos.

The steering blocks on the front axle should be placed so that the steering angle is limited to near zero. This will prevent the racers from jumping lanes.

We suggest that you display your cars and helmets at your sponsor's establishment one-week prior to the derby.

The top four boys in each category will receive trophies. It is recommended that each pack provide awards for the boys that participate and do not win trophies, Such as “I did my best awards”.

A recruiting table will be set up near the flag display. Please encourage potential cub scouts to attend the event. You may use it as a recruiting opportunity.

All participants are required to wear a helmet and seat belt. Bicycle helmets decorated with Cub Scout logos are ideal.

All must have fun.

All participants are required to have a signed hold harmless agreement. (See the attached hold harmless agreement sample form).

If your pack plan to participate or if you have ideas or suggestions that will enhance the event, please contact Dave Stone, Email (dlstone@knology.net) with your pack number and an estimate of your participants.

THE DERBY IS OPEN TO ALL CUB PACKS IN THE TALAKTO DISTRICT

PERMISSION FORM

PERMISSION FORM FOR URBAN EMPHASIS SCOUT LEADERS COUNCIL

CUBMOBILE DERBY October 7, 2017

Name _____ Pack # _____

Age _____ Rank: (Circle one) Tiger Cub Wolf Bear Webelos

Address: _____

Phone _____ Emergency Phone _____

WAIVER AND RELEASE

I, as parent, and/or guardian of the minor for and in consideration of acceptance of this event, do hereby release, waive and forever discharge the Urban Emphasis Scout Leaders Council, Boy Scouts of America, Home Depot and any and all other supporting groups of this event together with all their officers, agents, officials and employees from any and all liability, claims, actions or causes of action whatsoever arising out of, or related to any injury, illness, loss, or damage, including death, related to participation in the afore said event.

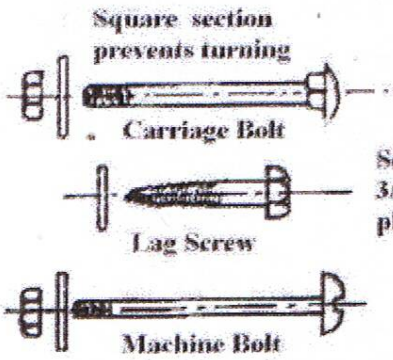
Parent or Guardian Signature

CUBMOBILE CONSTRUCTION GUIDE

11" (max) dia wheels from lawnmower, wagon, tricycle, barbecue, etc.

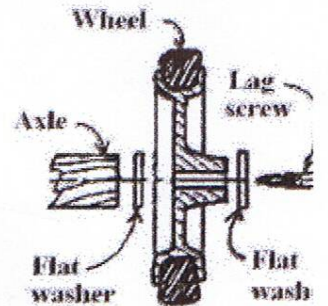
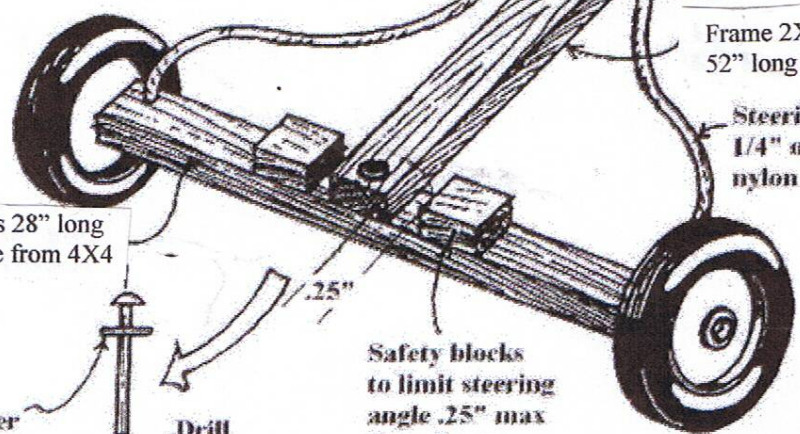
Post 2X6

Seat back
8 & 3/4" x 20"
3/8" or 1/2"
plywood

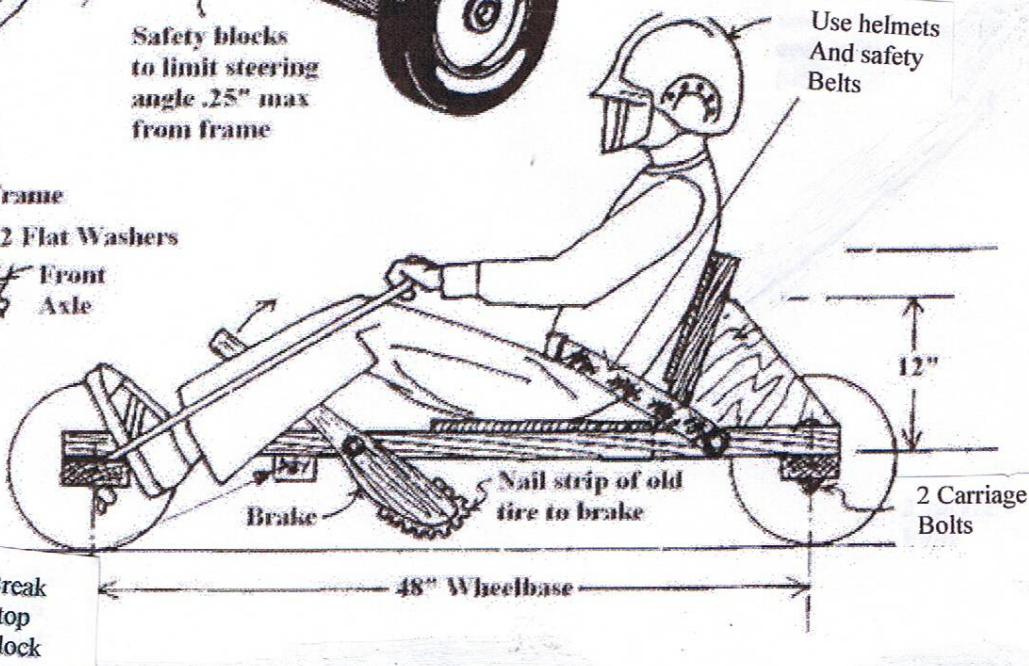
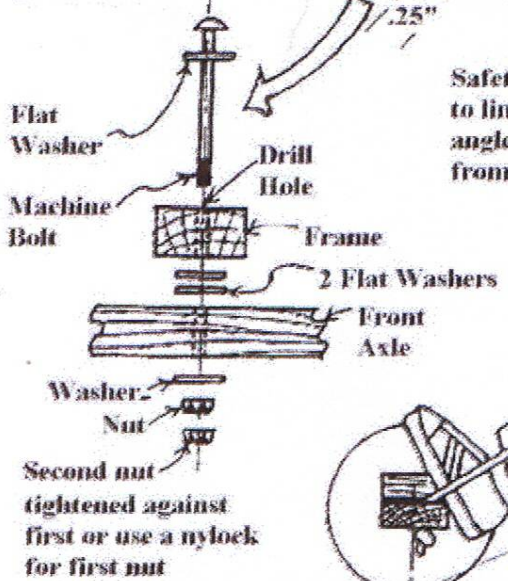


Seat 15" x 20"
3/8" or 1/2"
plywood

Use these types of fasteners
Nails will not hold



Wheels can be mounted by lag
Screws or threaded or smooth
Rod attached to the underside



* Break Stop Block





